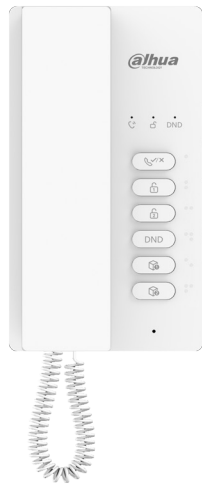


DHI-VTH0003A-H

2-wire Analog Audio Indoor Monitor



EACH

- Receives calls through the handset.
- Supports braille.
- Analog 2-wire communication.
- Features sleep mode and a quick wake-up function.
- With just one click, you can answer calls, unlock doors, turn on DND, and mute the device.
- Adjustable volumes of the system ringtones and intercom.
- 4 status indicators with different statuses.
- Supports 2-channel alarm input for connecting doorbells.
- Offers custom ringtones.
- Features two-way audio talk with the door station.
- Supports configuring the main and sub indoor monitors and receiving group calls from the door station.
- The power indicator can be freely turned on and off.

Technical Specification

System

Main Processor	Embedded Processor
Operating System	RTOS
Button Type	Mechanical

Basic

Audio Input	2 channels
Audio Output	Built-in speaker; Receiver Speaker
Audio Mode	Two-way audio (half-duplex)

Function

Communication Mode	Analog 2-wire
DND Mode	Yes
Number of Extensions	2

Port

Alarm Input	2 channels
Door Bell	Yes (use the alarm input port)

Performance

Casing Material	ABS
-----------------	-----

General

Appearance Color	White
Power Supply	The power is provided by the distributor.

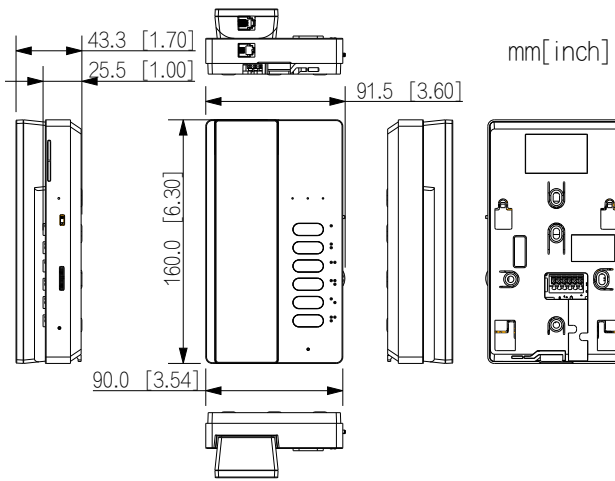


Power Adapter	Purchased separately
Installation	Surface Mount
Certifications	CE
Product Dimensions	91.5 mm × 160.0 mm × 43.3 mm (3.60" × 6.30" × 1.70")
Operating Temperature	-10 °C to +55 °C (+14 °F to +131 °F)
Operating Humidity	10%–95% (RH)
Operating Altitude	0 m–3000 m (0 ft–9842.52 ft)
Power Consumption	≤1 W(standby), ≤5 W(working)
Gross Weight	0.421 kg (0.93 lb)
Storage Temperature	0 °C to +40 °C (+32 °F to +104 °F)
Storage Humidity	30%–75%
Operating Environment	Indoor

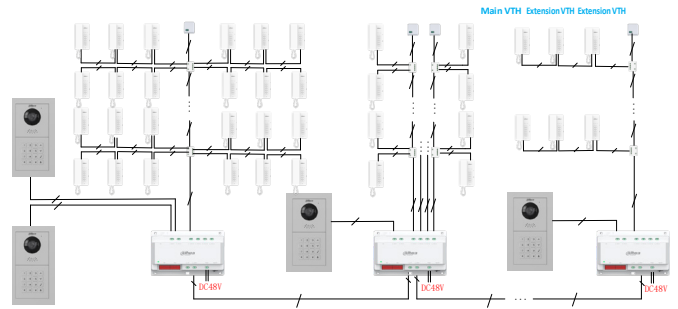
Ordering Information

Type	Model	Description
2-wire Analog Audio Indoor Monitor	DHI-VTH0003A-H	2-wire Analog Audio Indoor Monitor

Dimensions (mm[inch])



Application



Installation

